

Mountain Top[®] Cargo Carrier

Installation manual





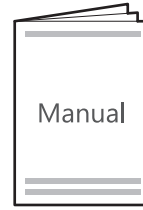
Parts

A



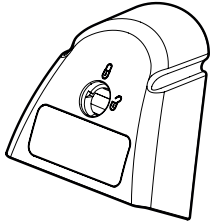
x 1

B



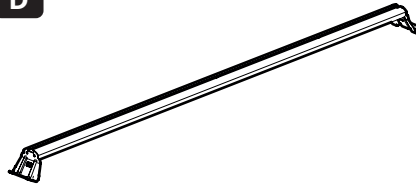
x 1

C



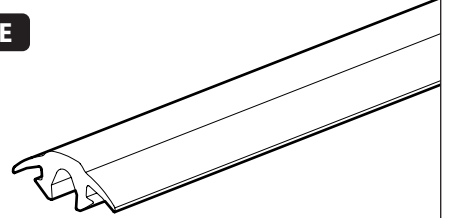
x 4

D



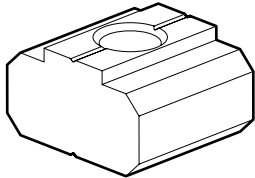
x 2

E



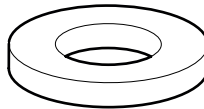
x 1

F



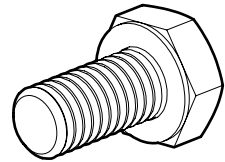
x 8

G



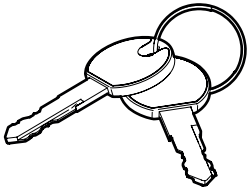
x 8

H



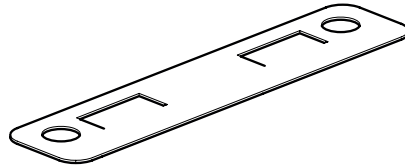
x 8

I



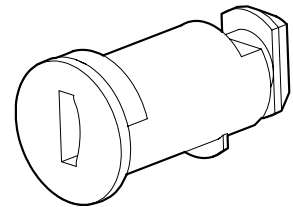
x 2

J



x 4

K

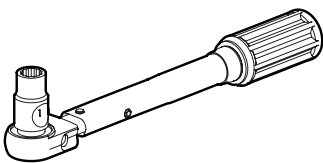


x 4



Tools and materials needed

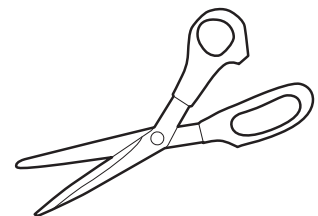
1 - 25 Nm

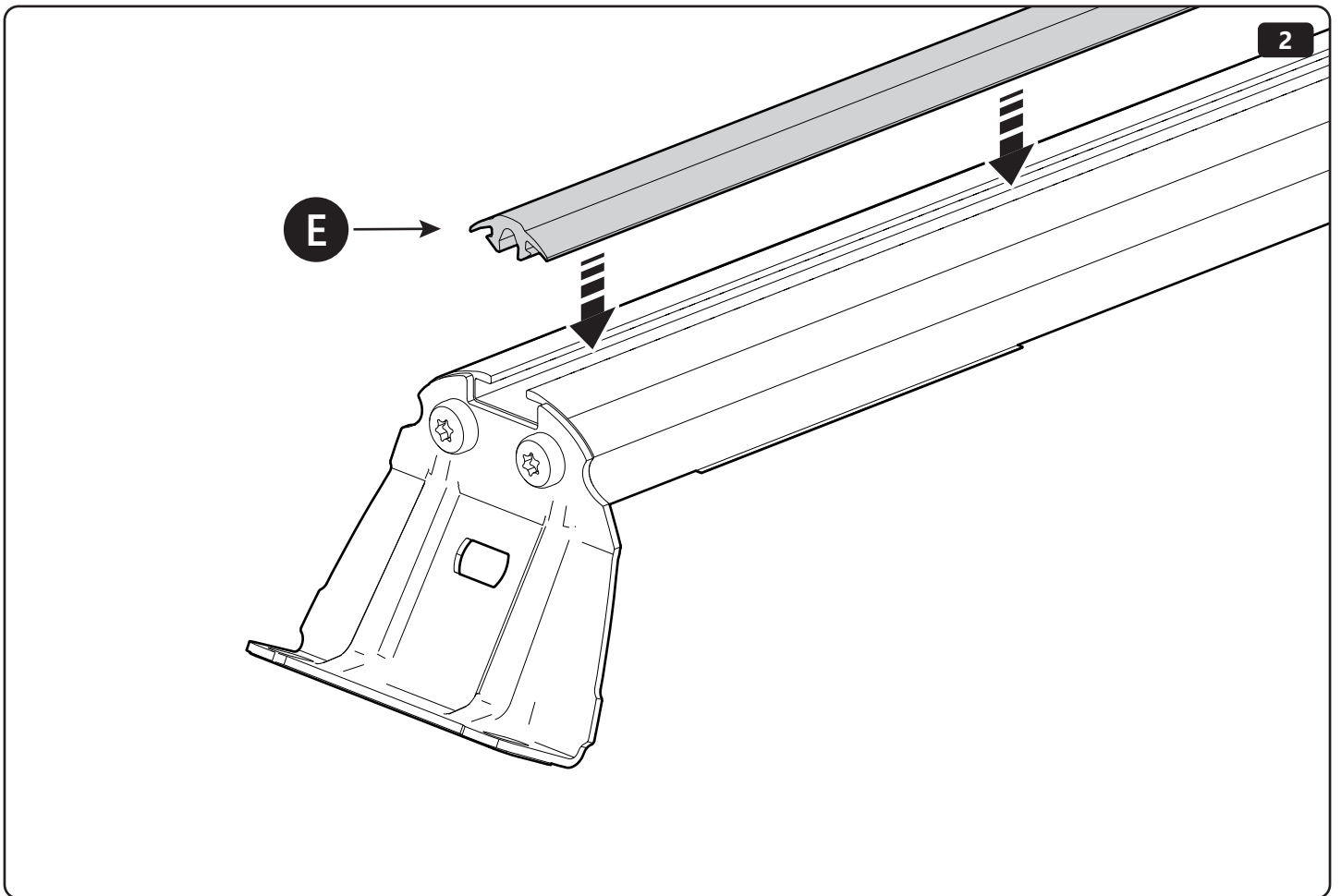
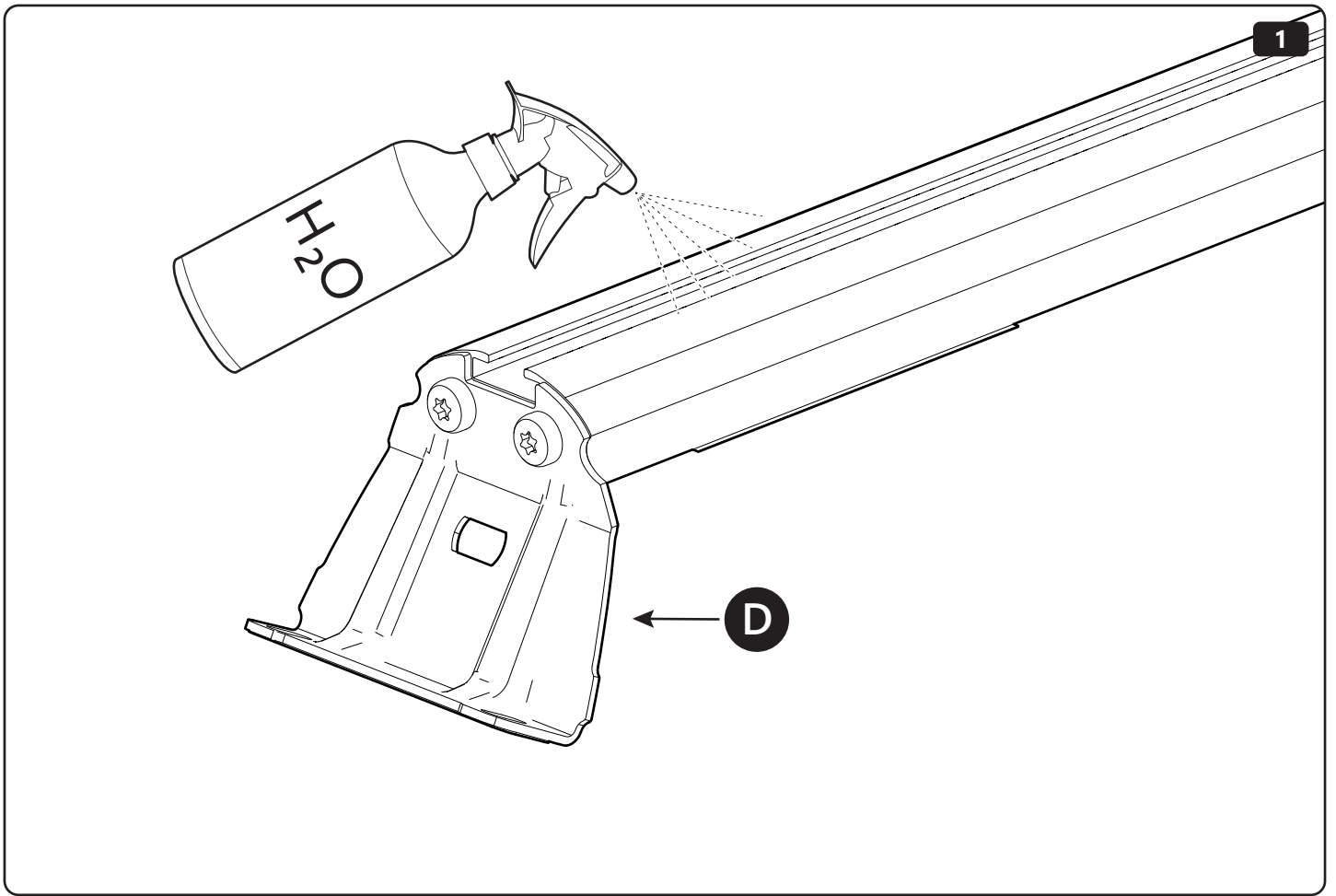


○ 10 mm

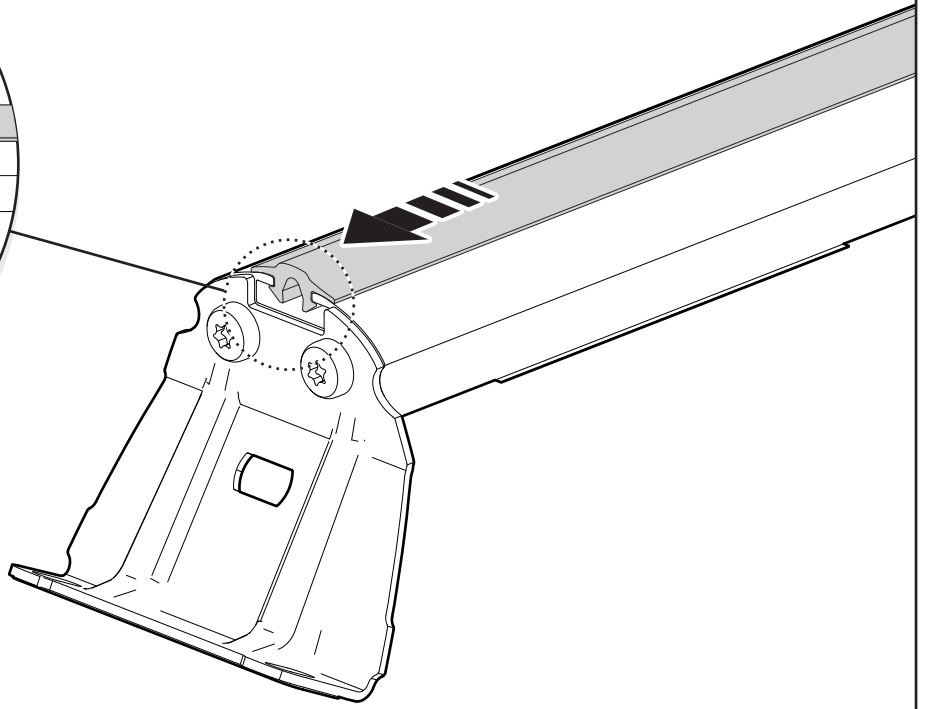
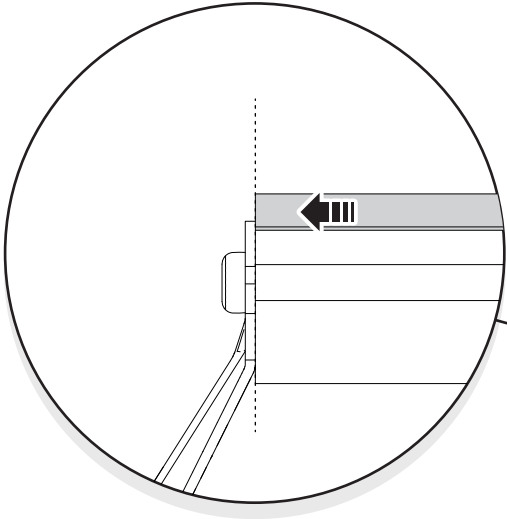


H₂O

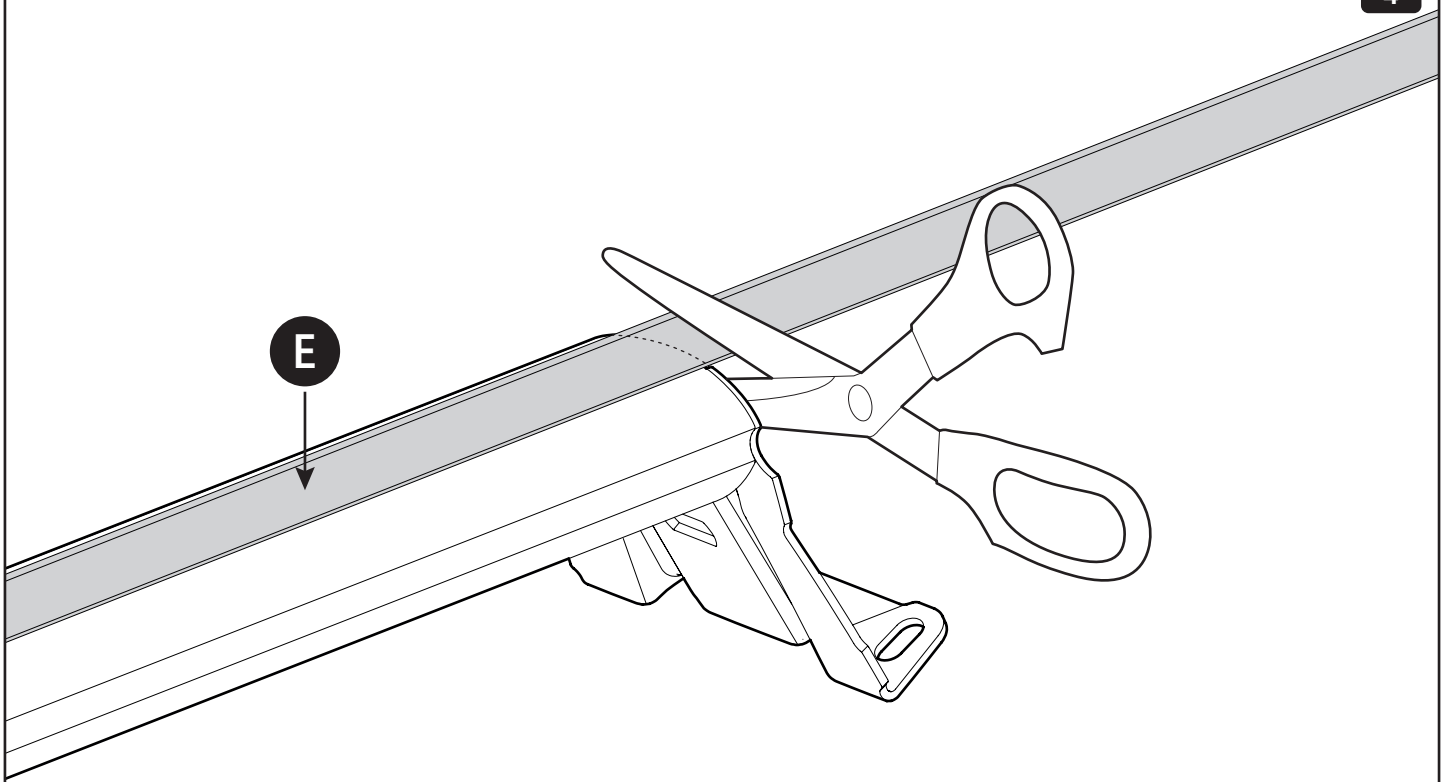




3

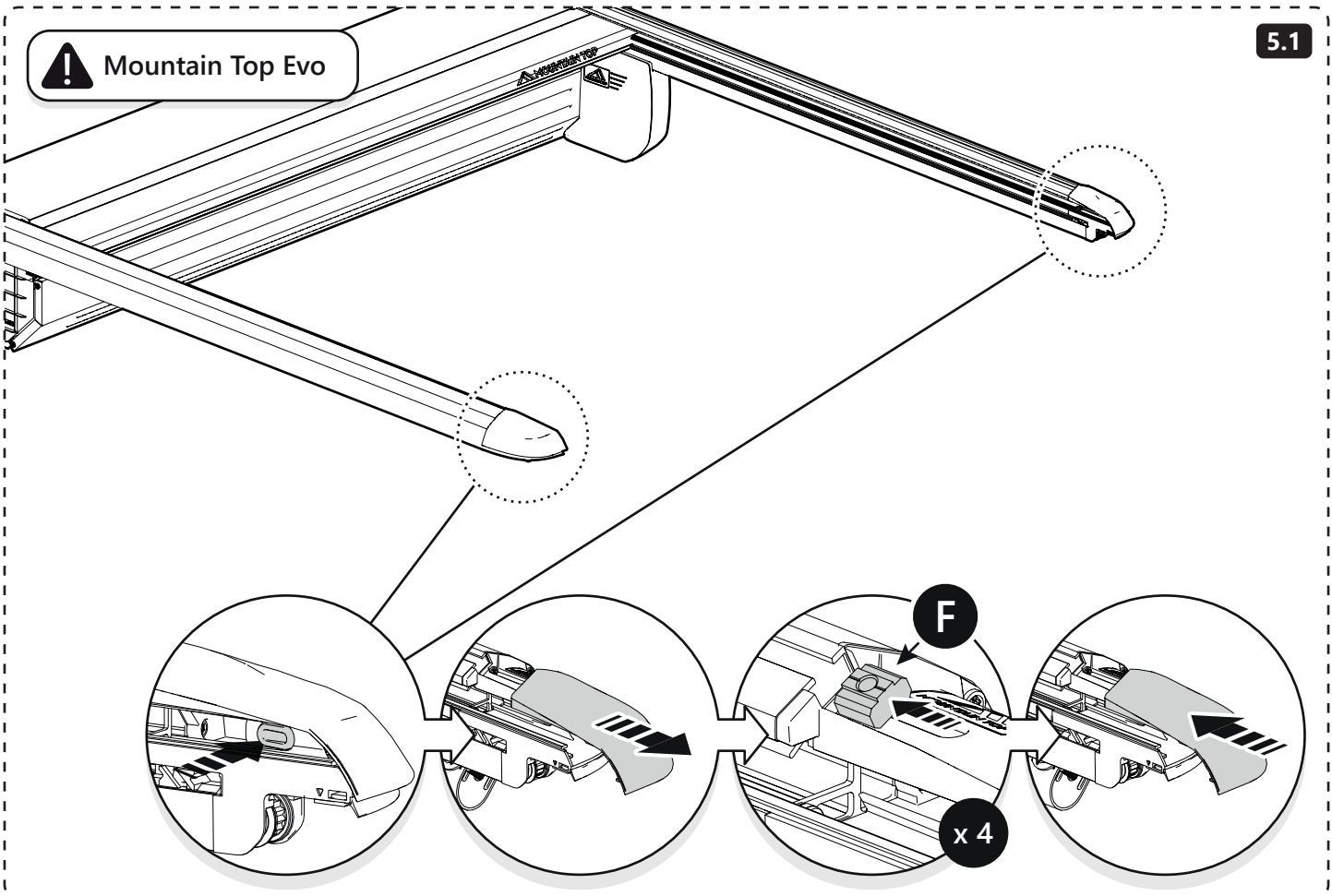


4



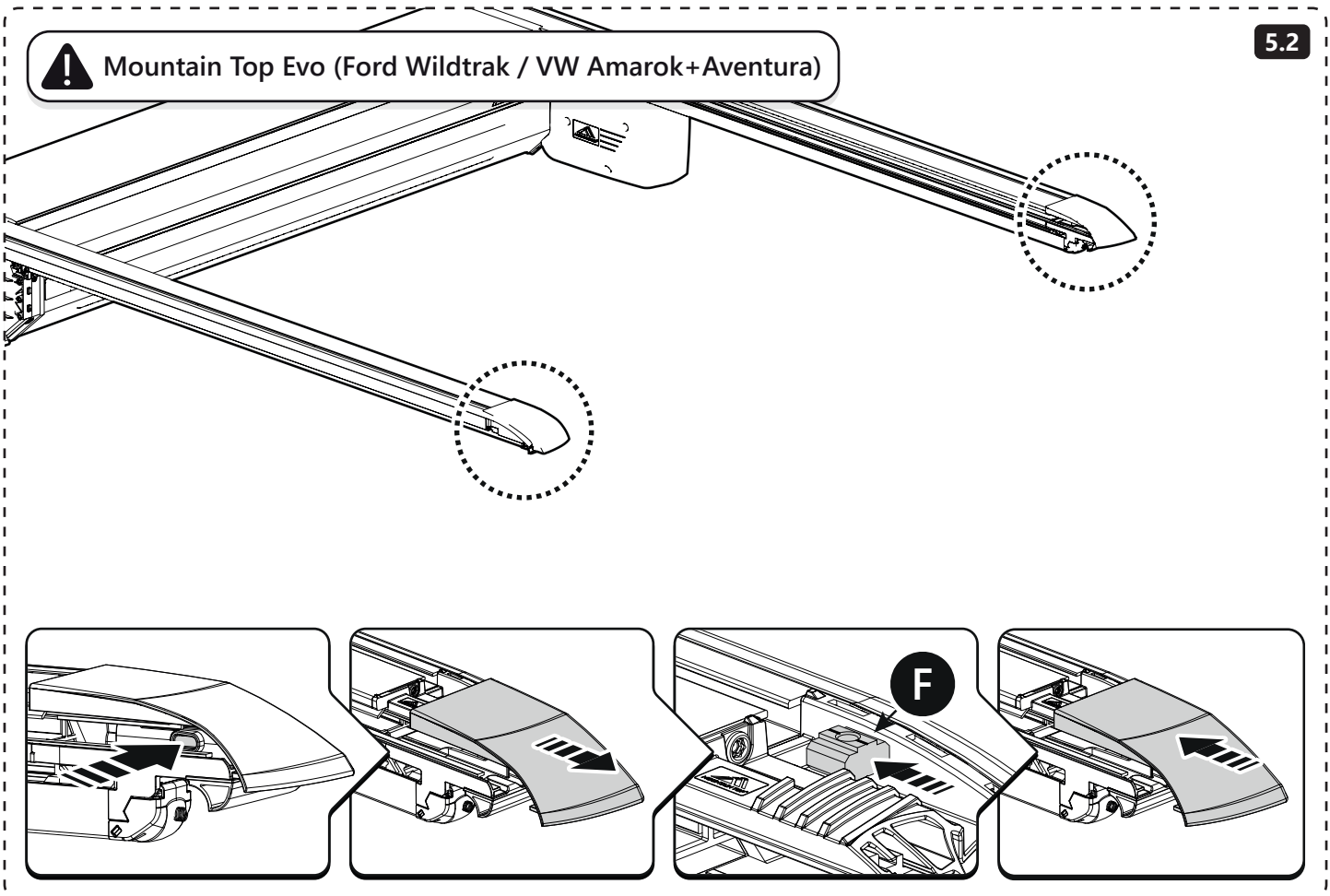
! Mountain Top Evo

5.1



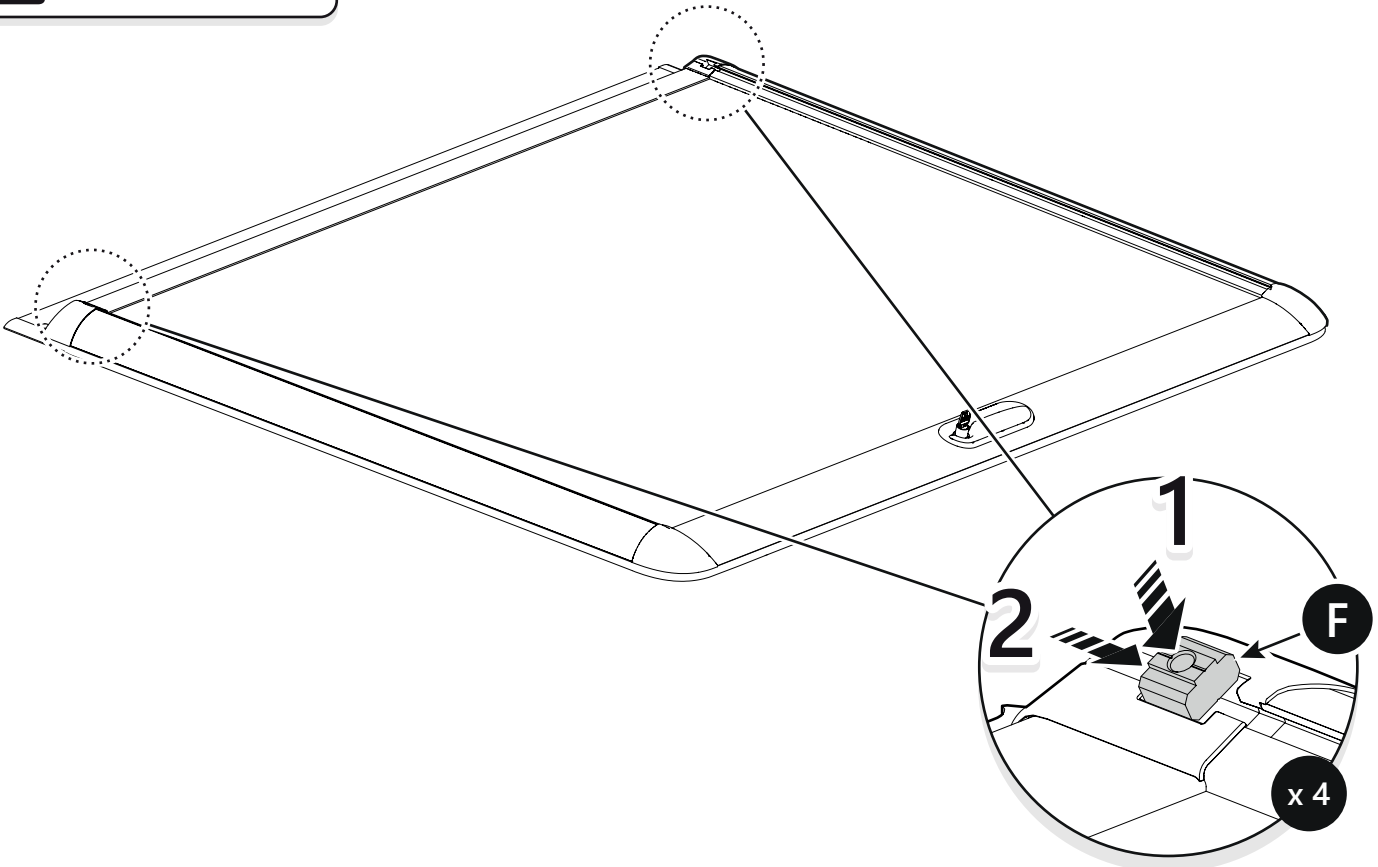
! Mountain Top Evo (Ford Wildtrak / VW Amarok+Aventura)

5.2



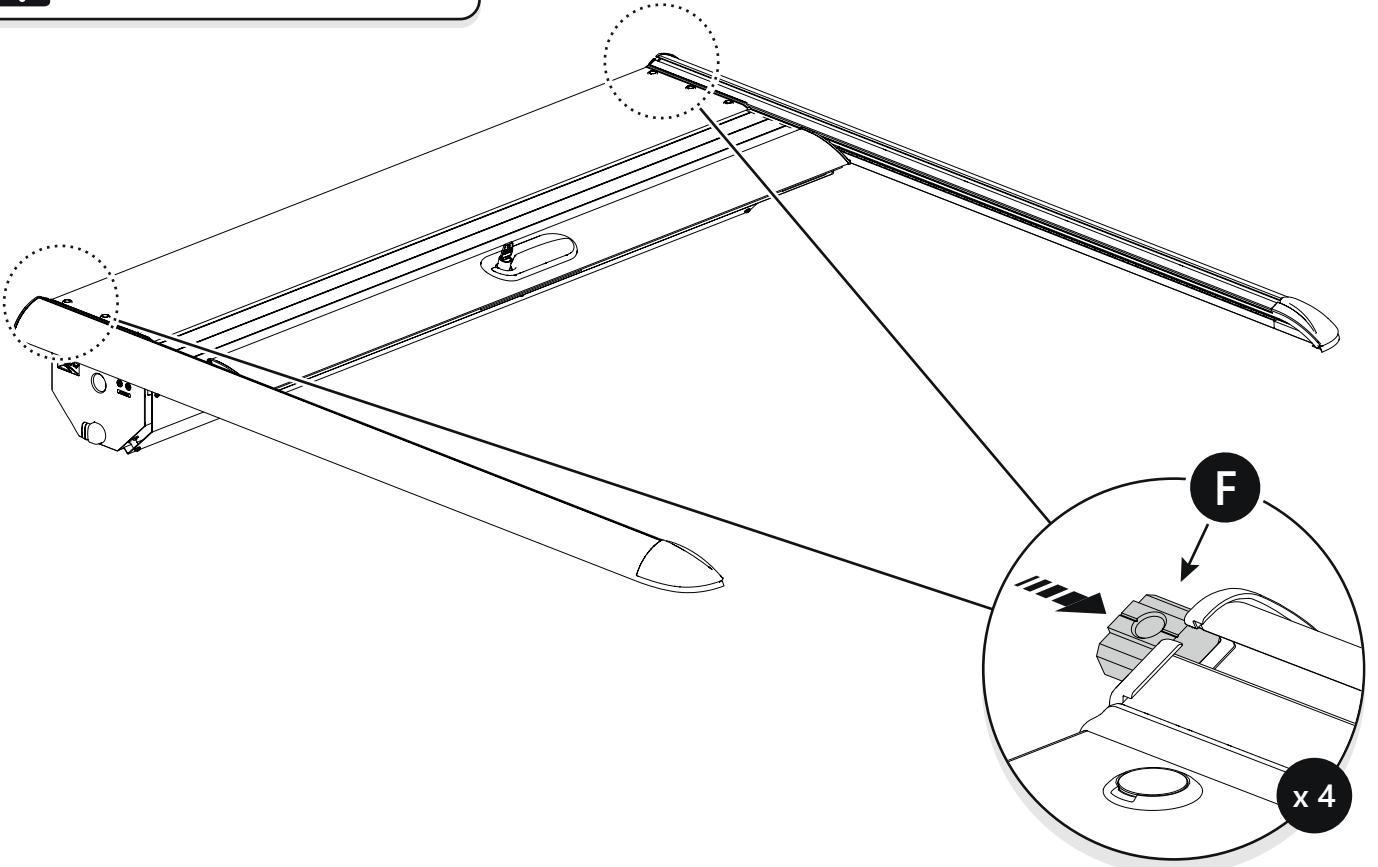
! Mountain Top Style

5.3

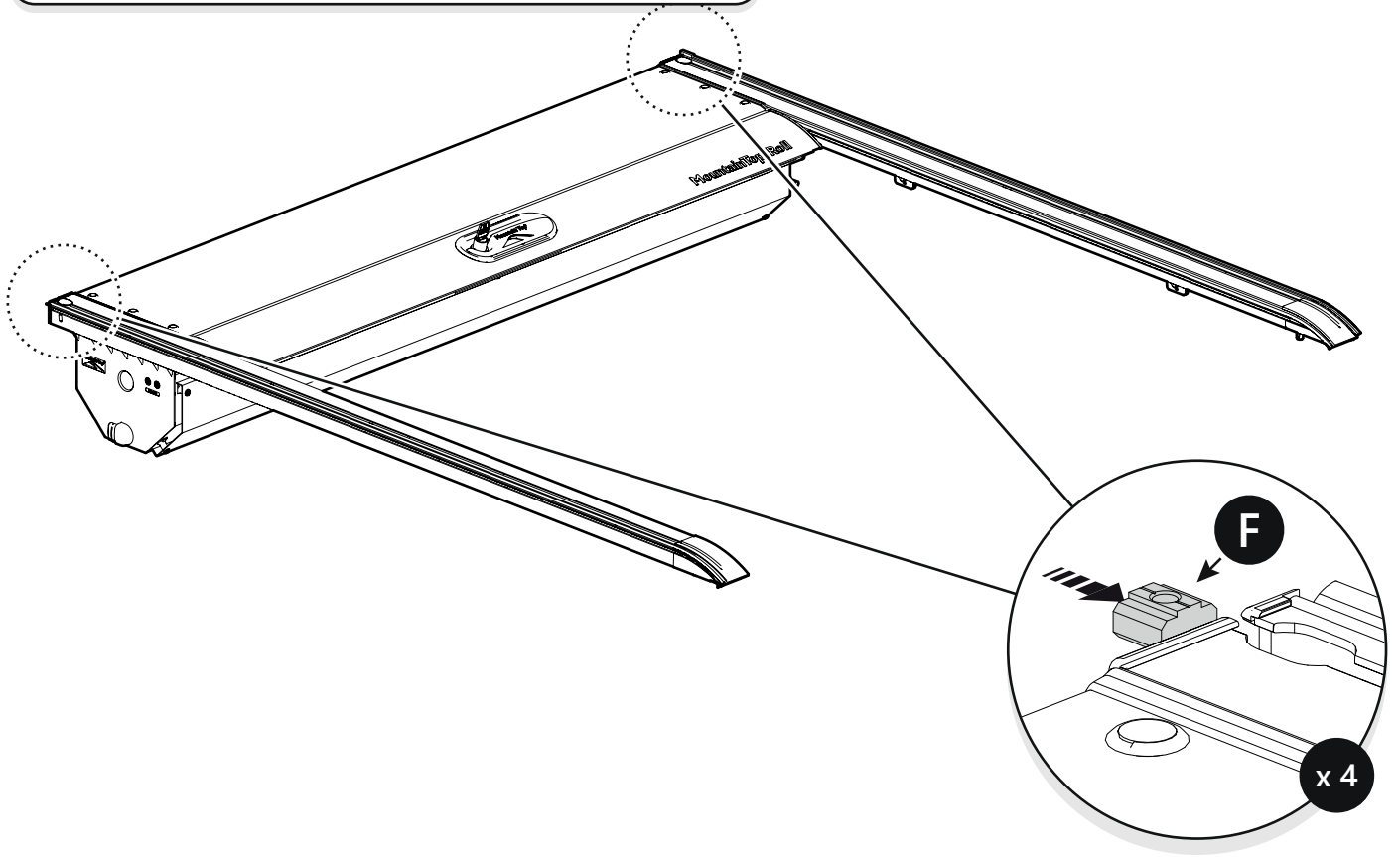


! Mountain Top Roll (Standard)

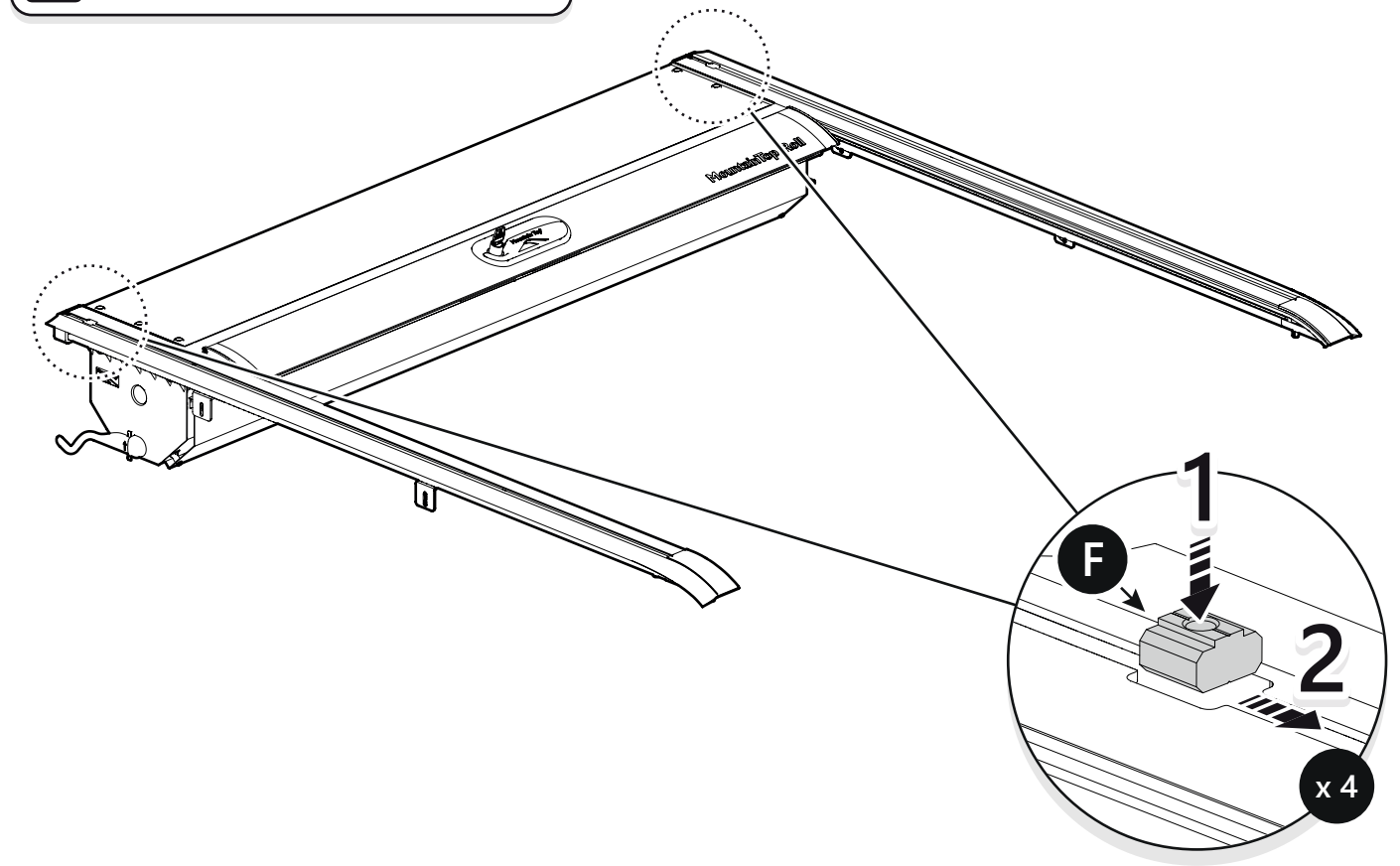
5.4



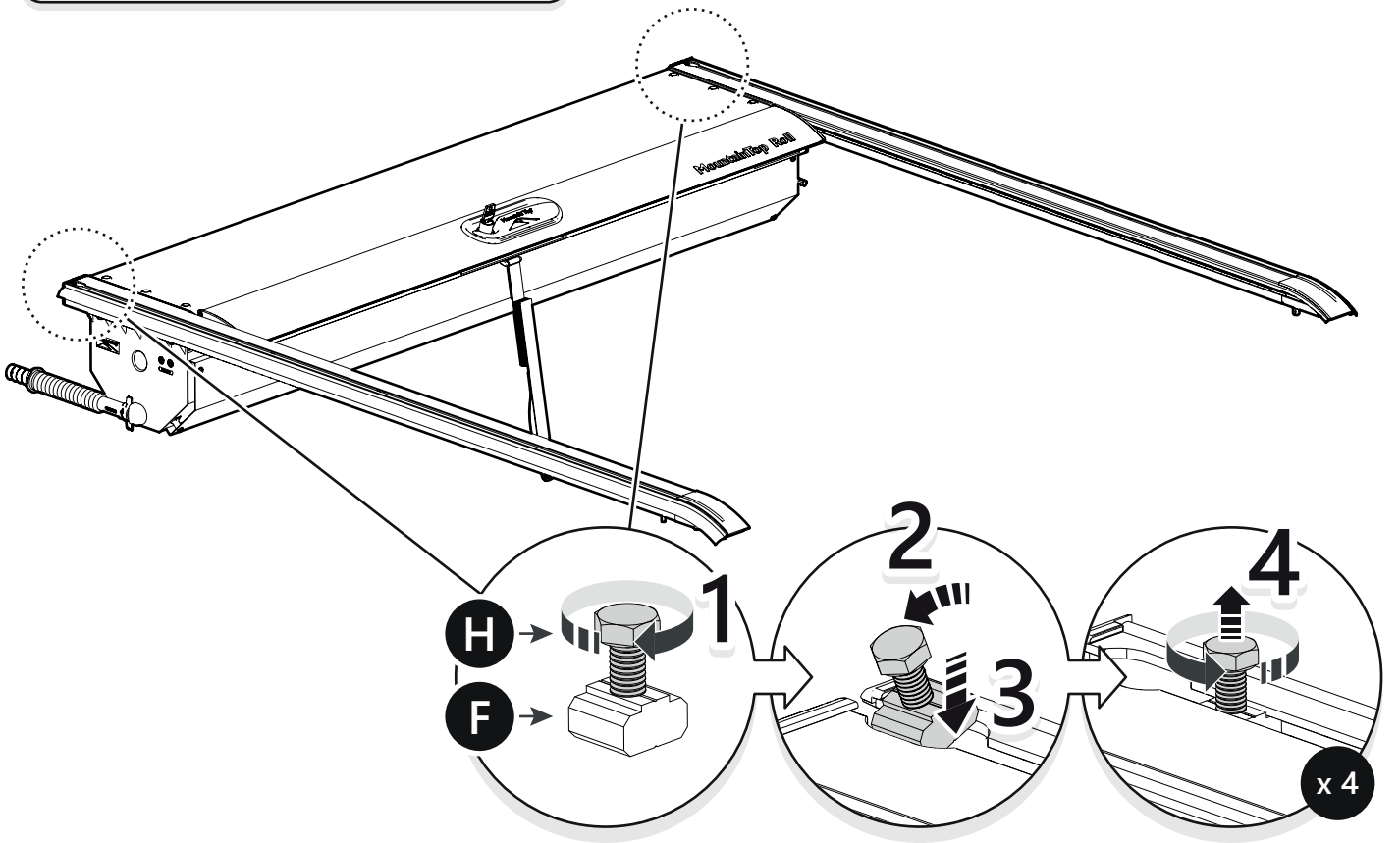
! Mountain Top Roll (Ford Wildtrak / VW Amarok)



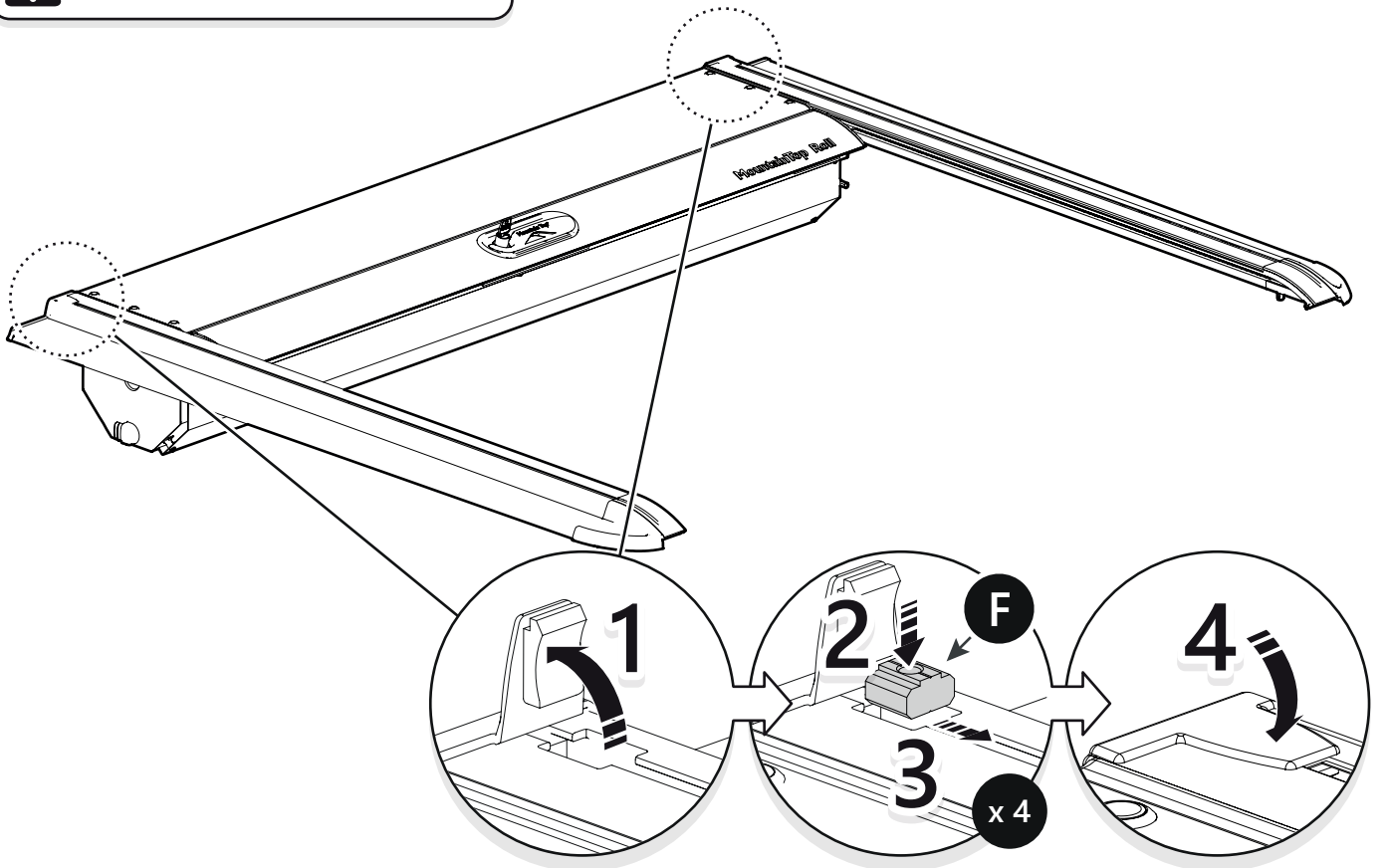
! Mountain Top Roll (Mitsubishi DC)



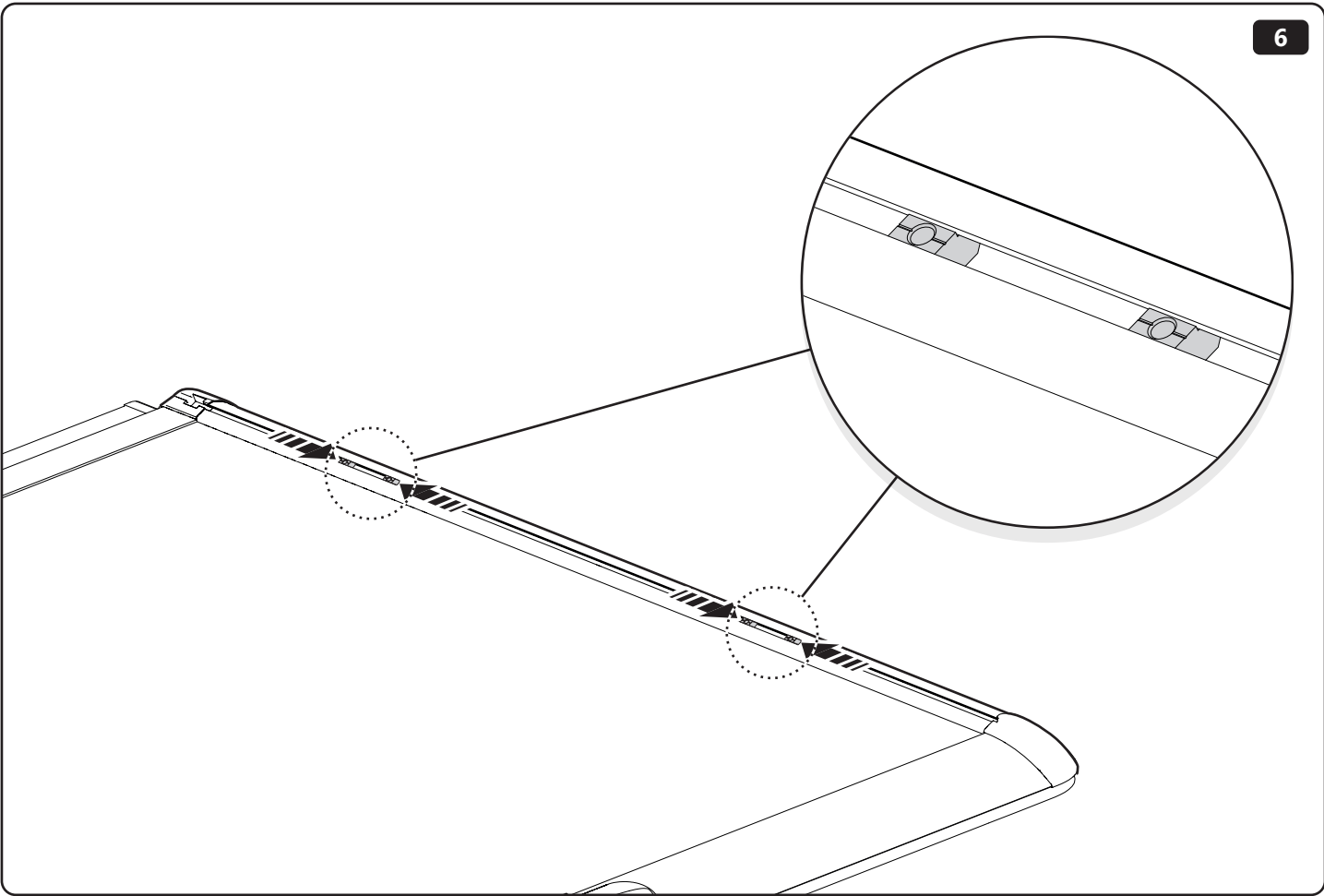
! Mountain Top Roll (VW Aventura)



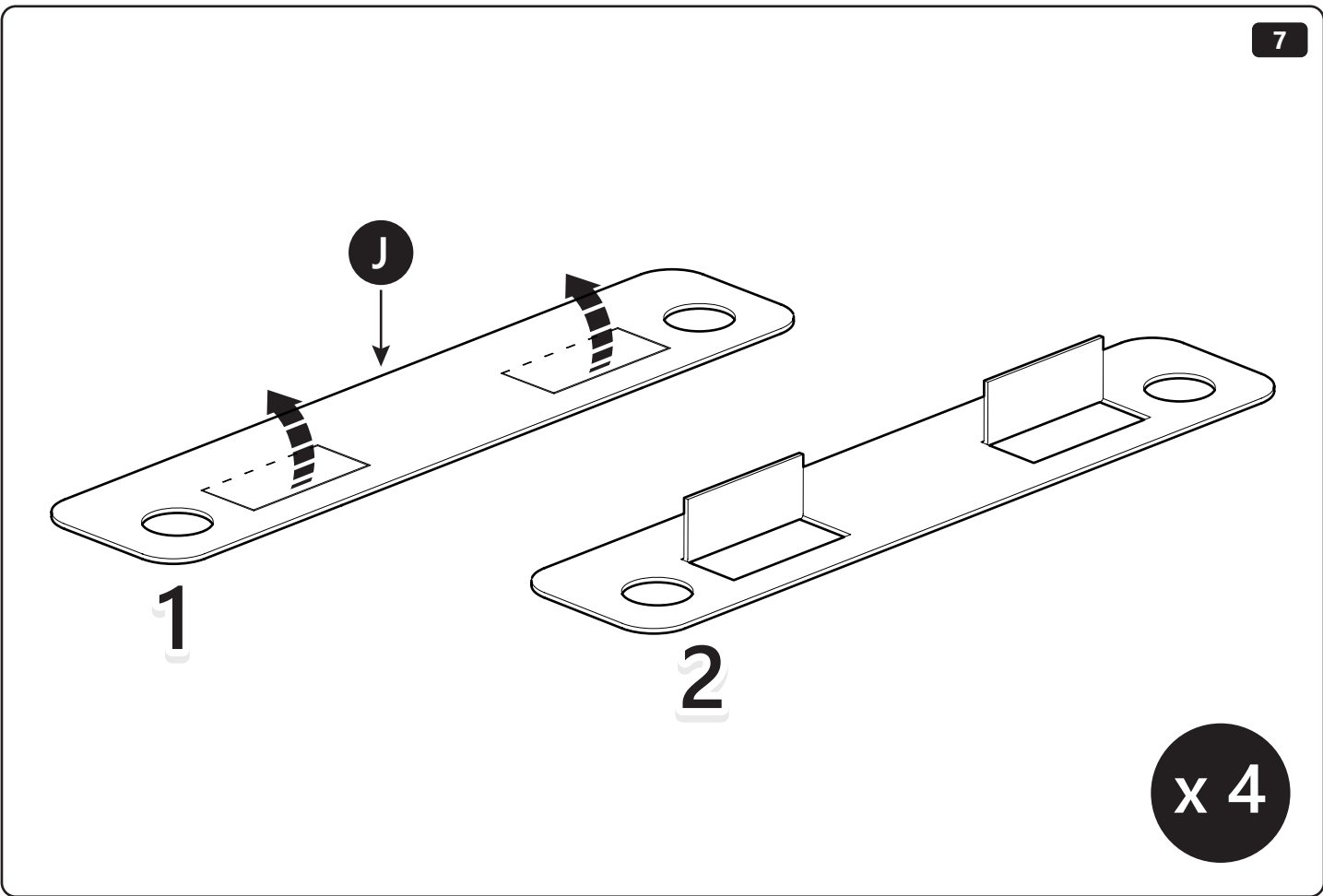
! Mountain Top Roll (Ssangyong)



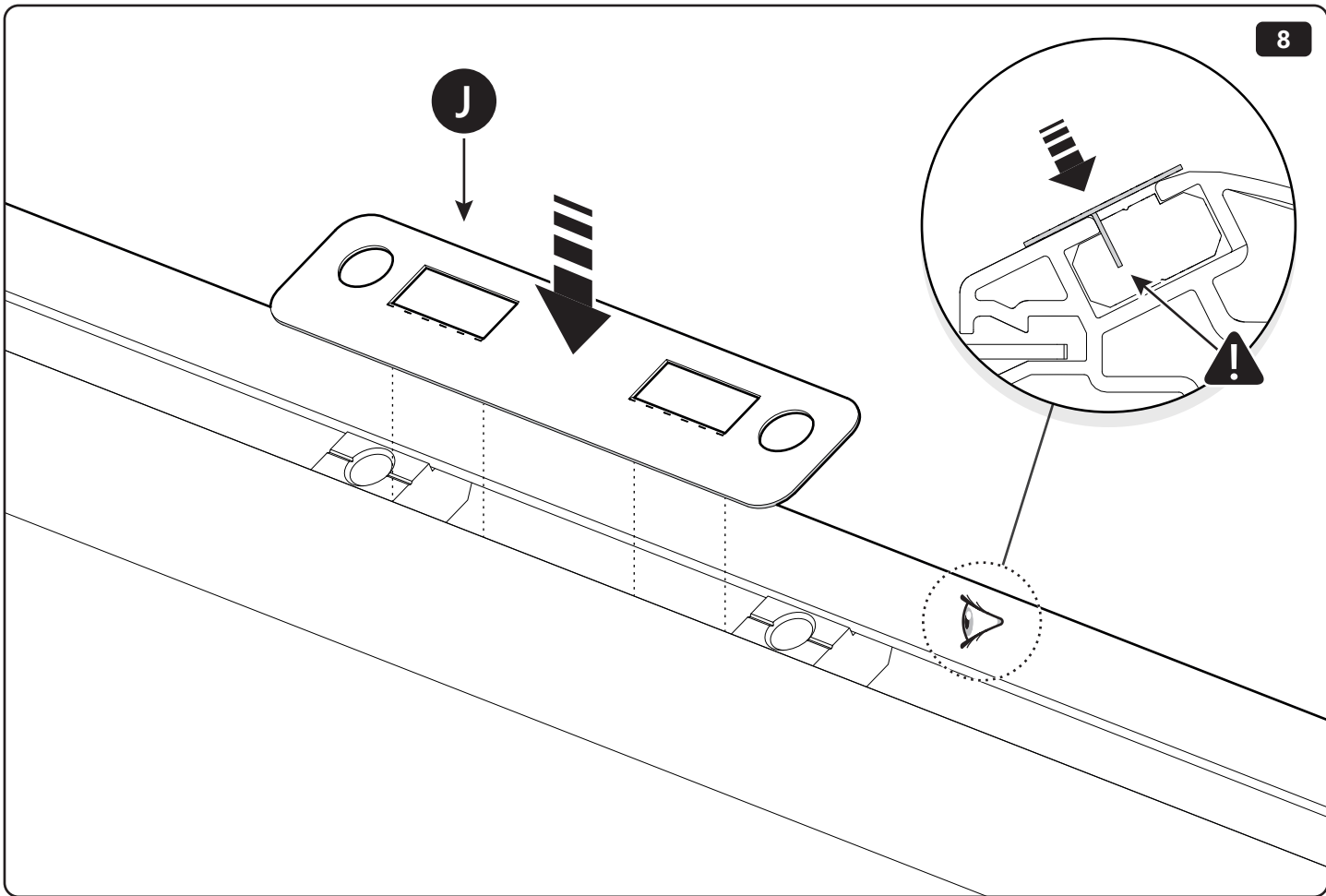
6



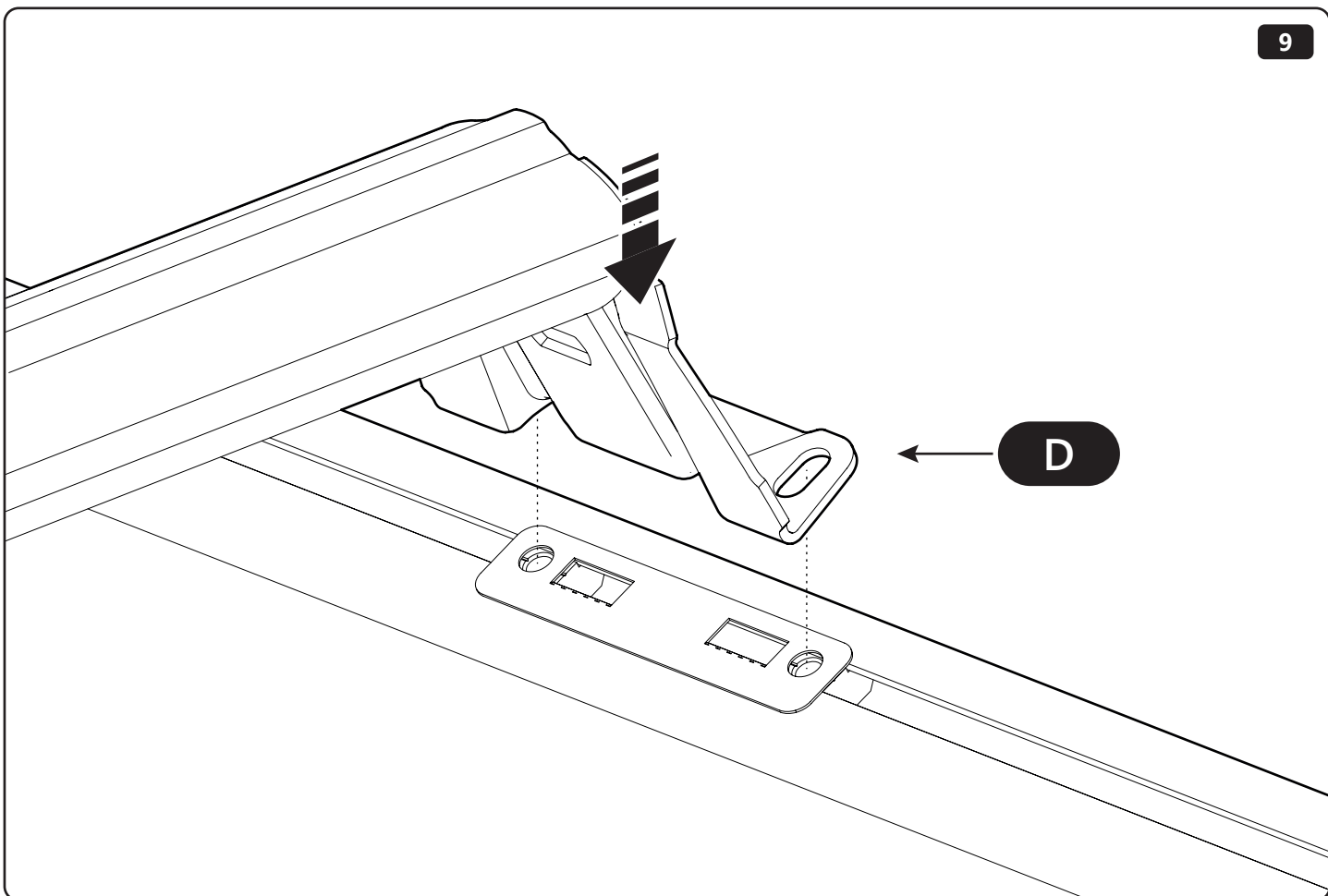
7

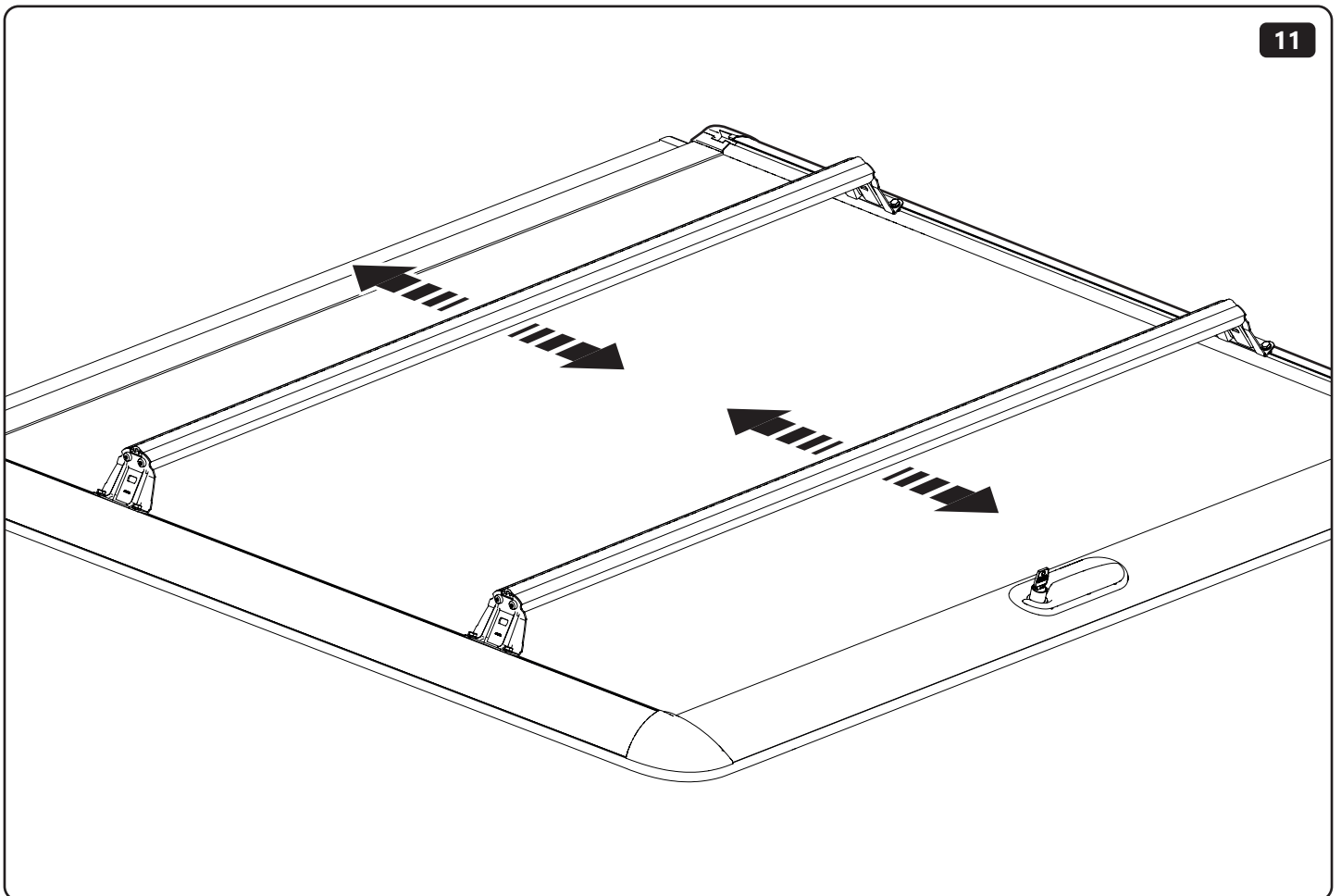
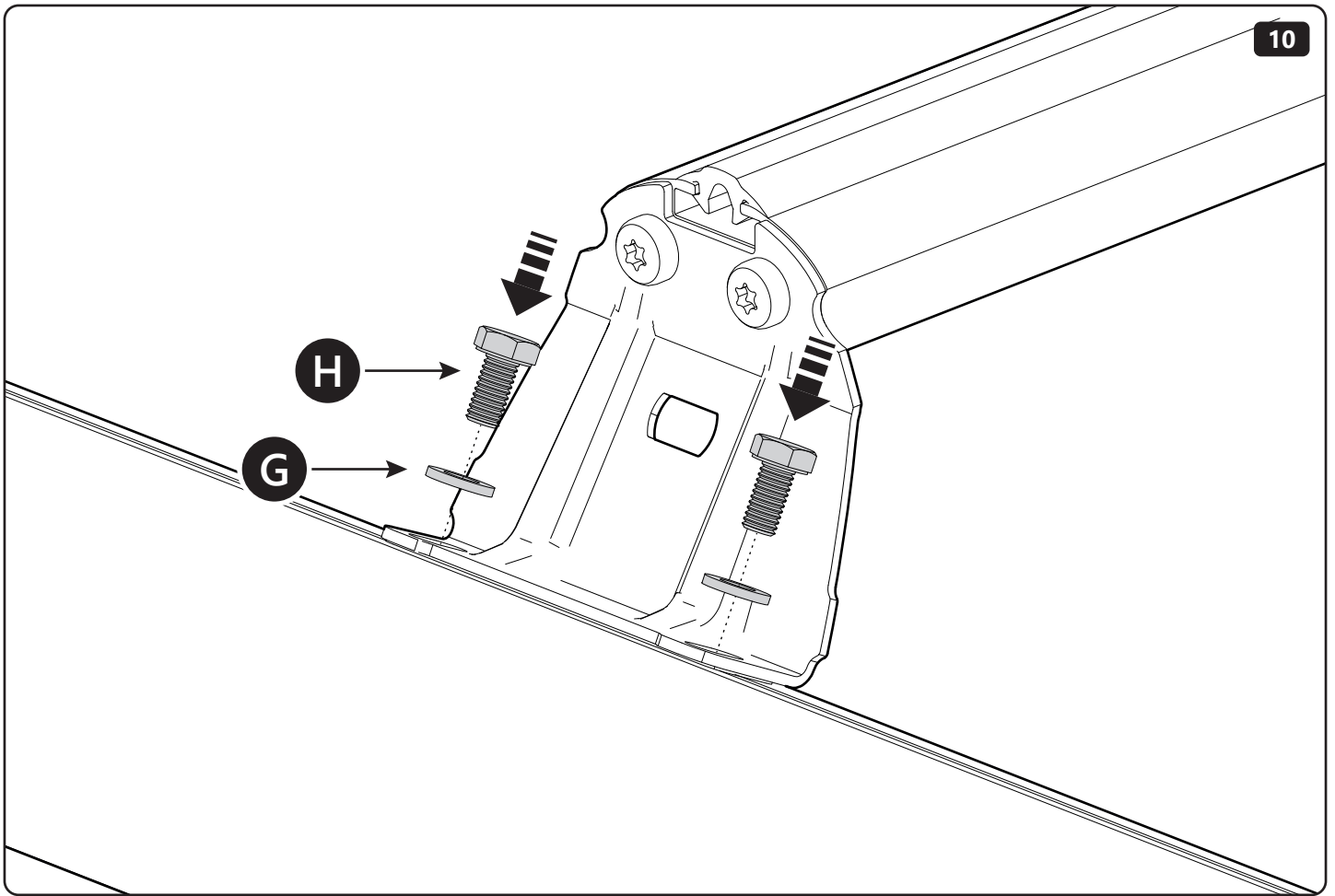


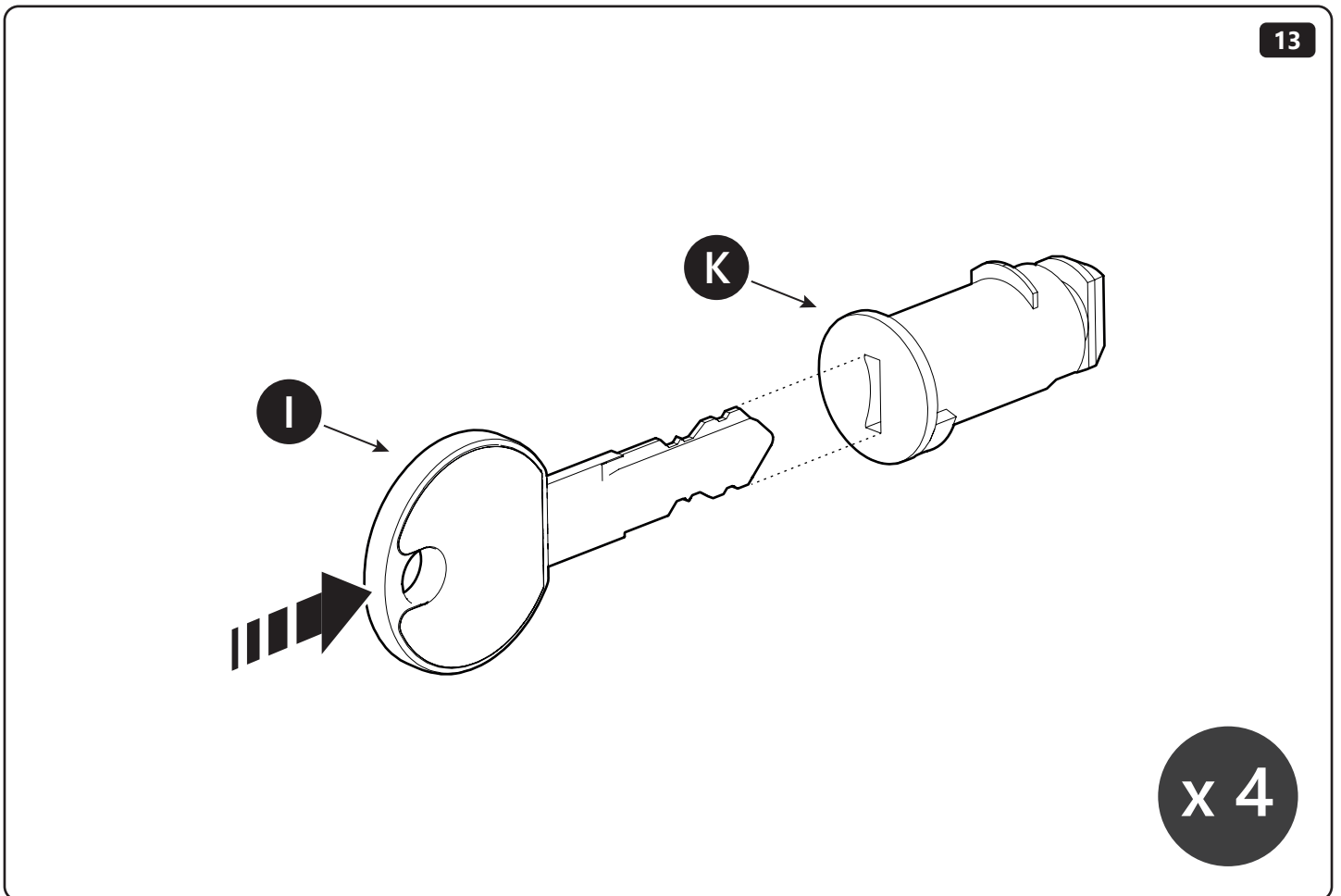
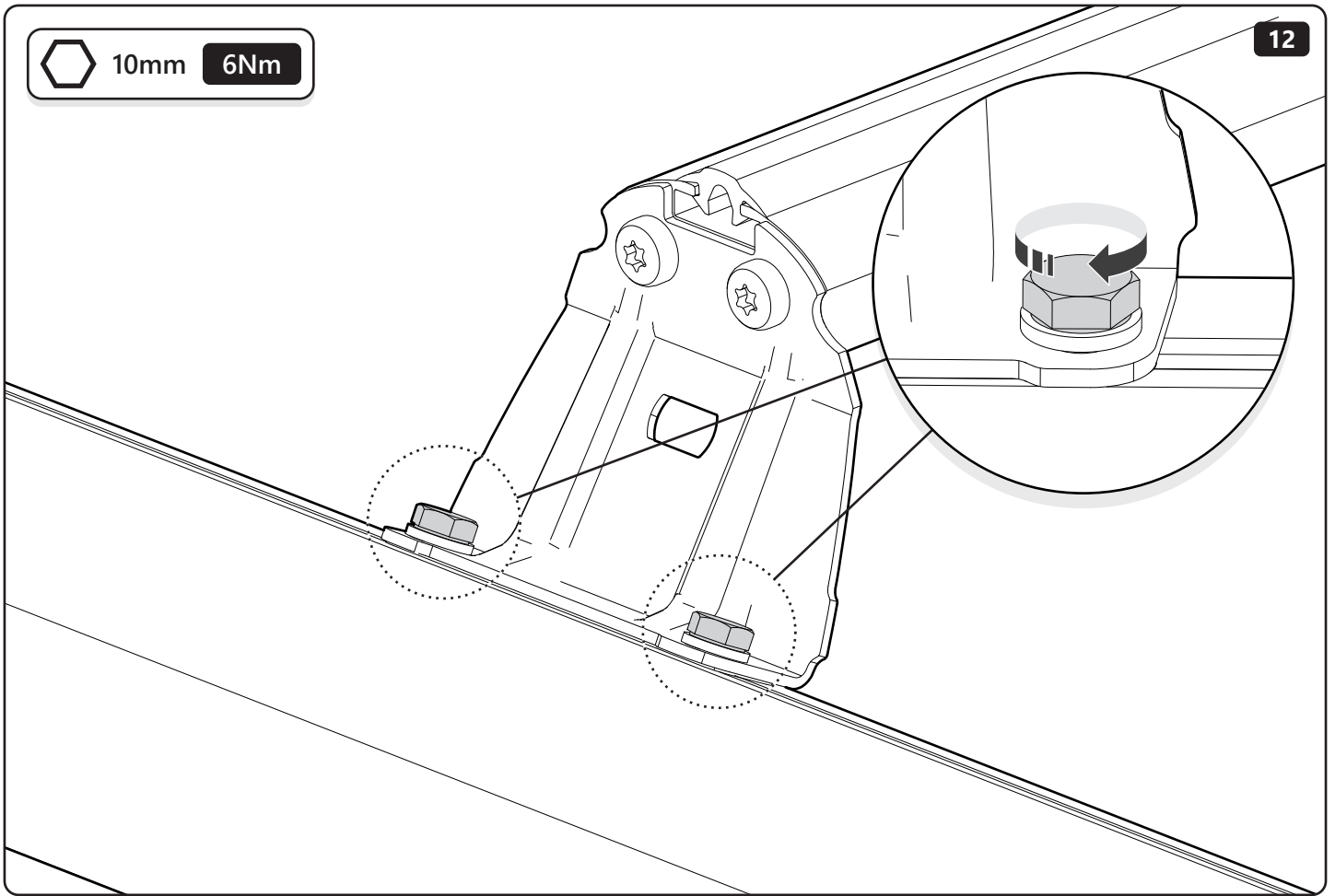
8

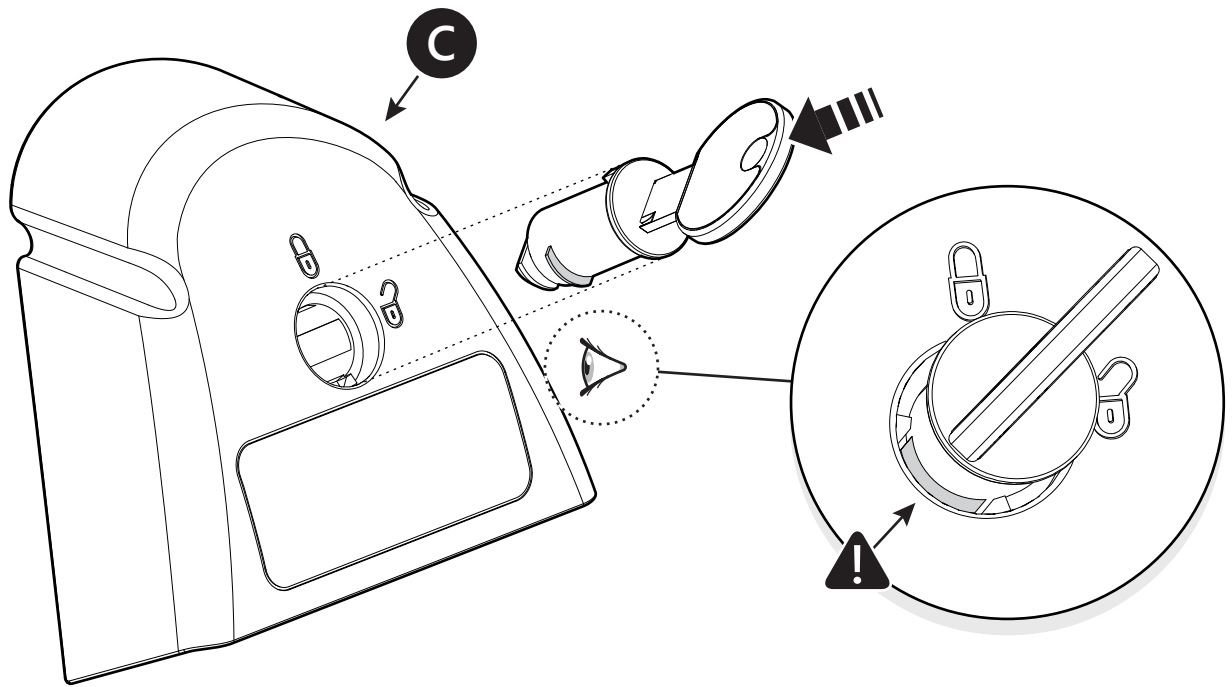


9

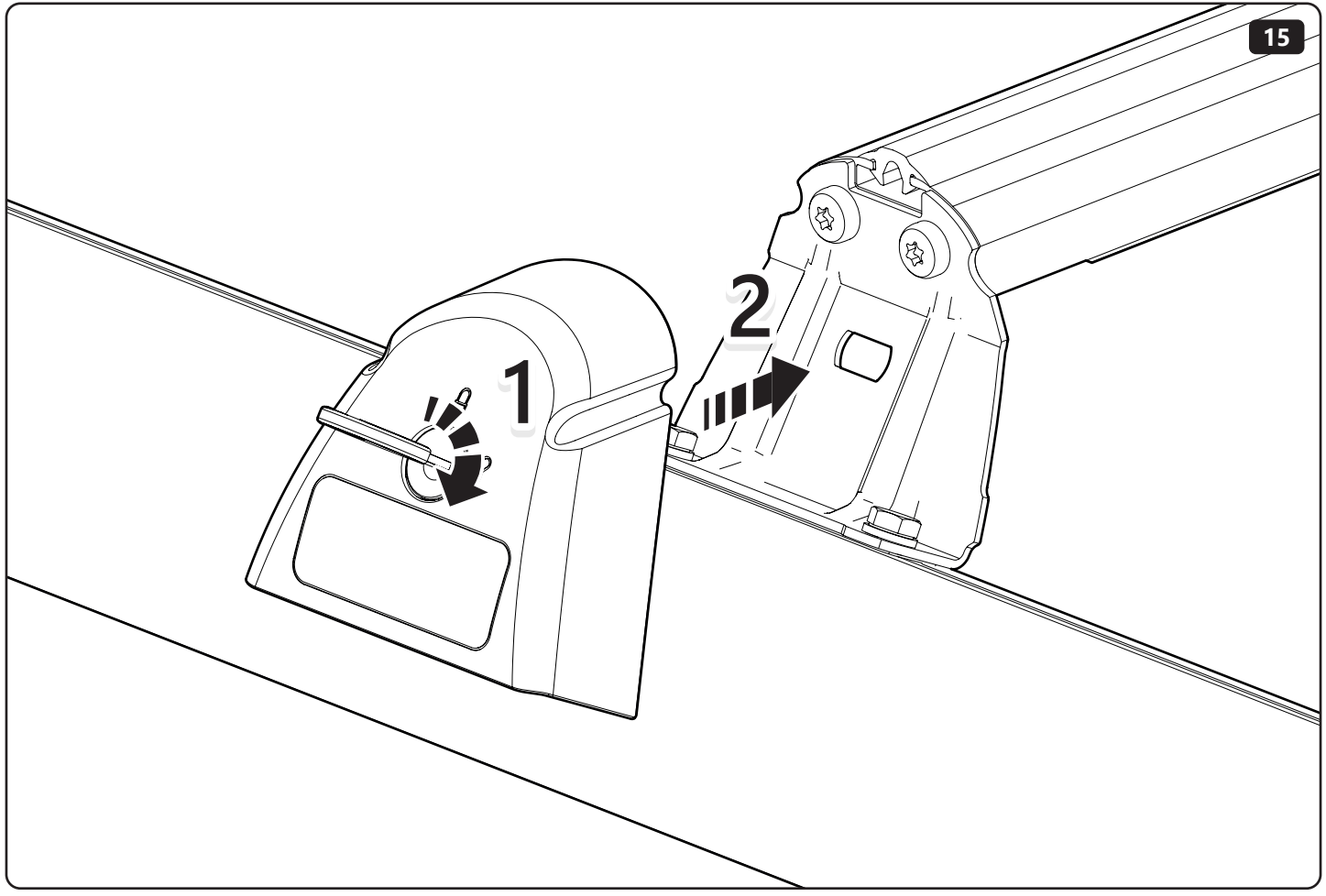


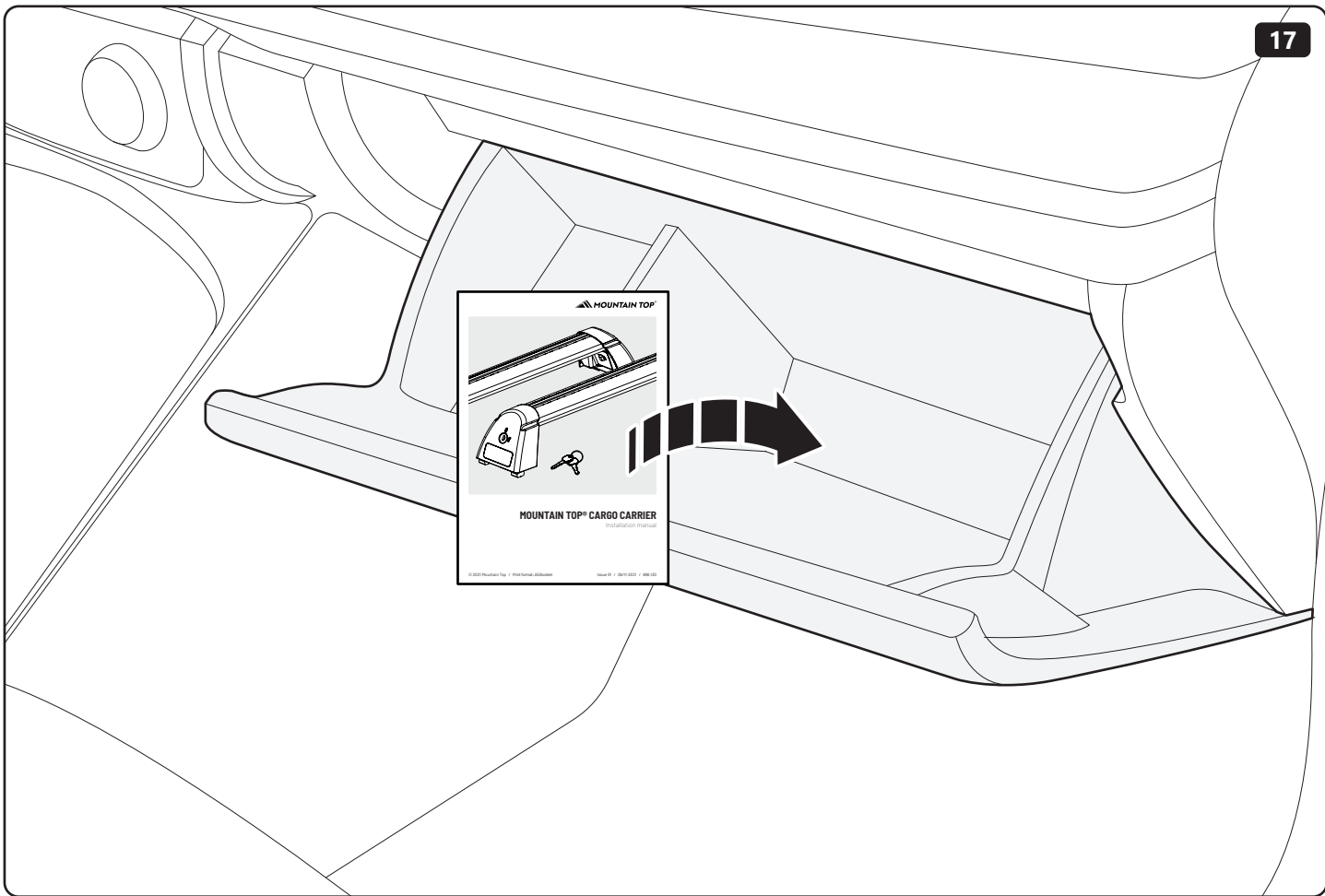
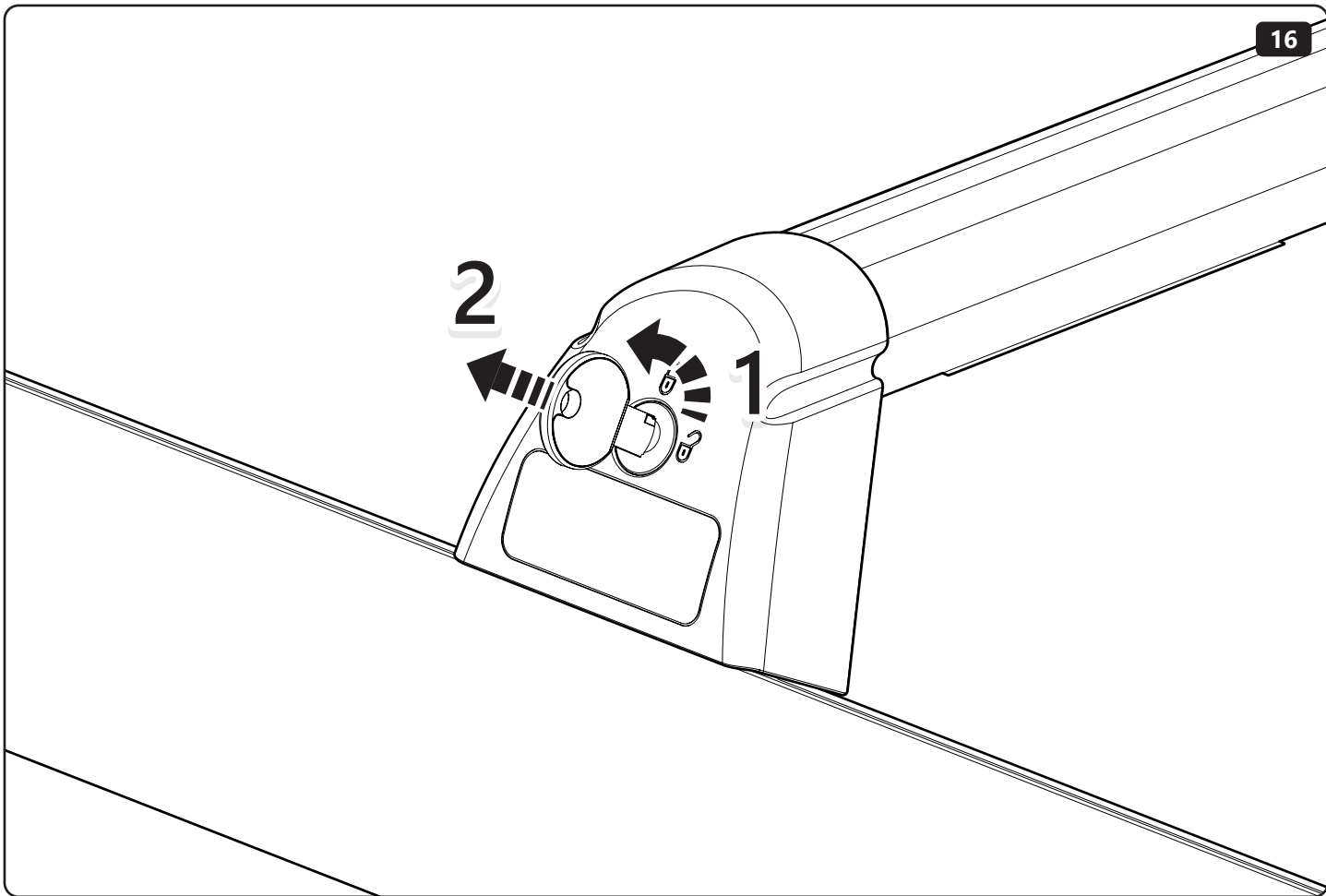


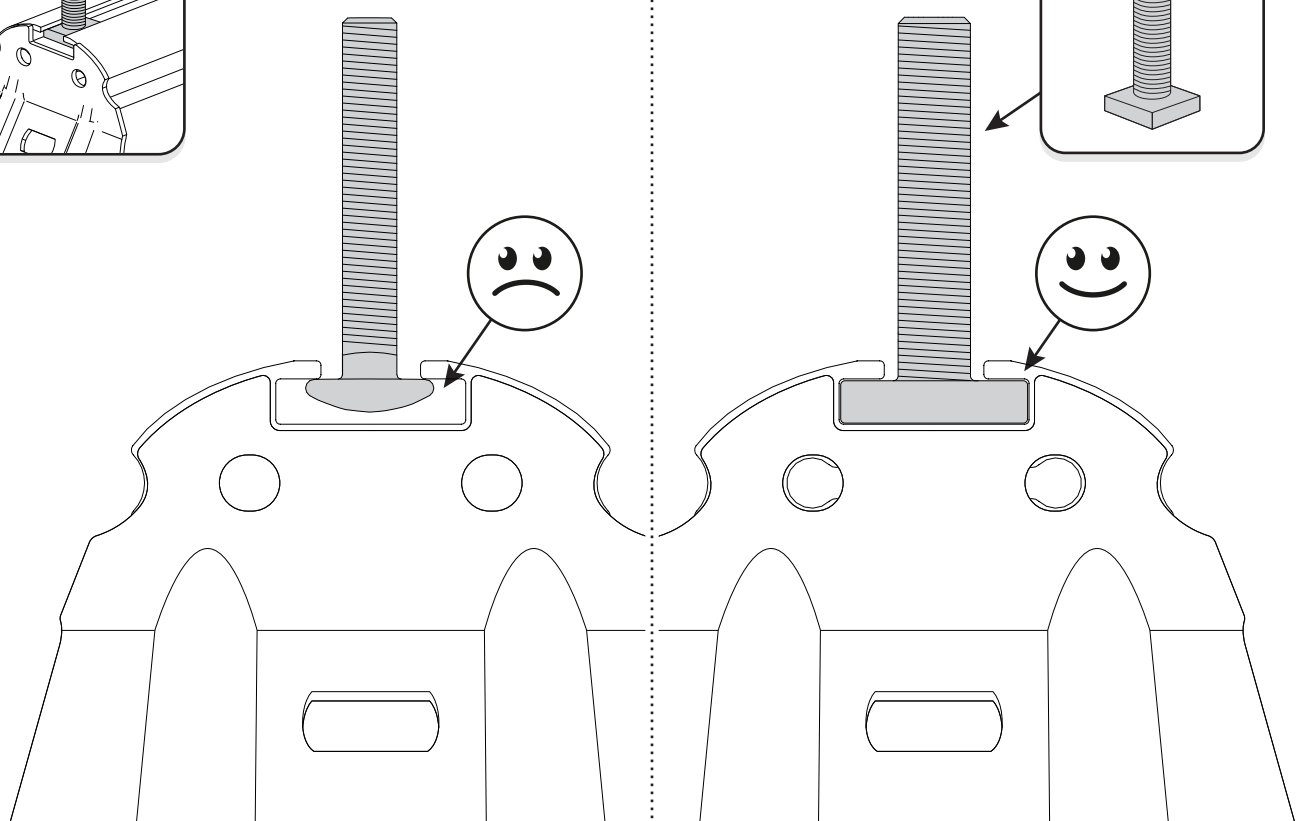
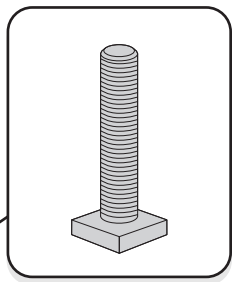
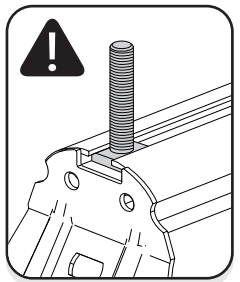
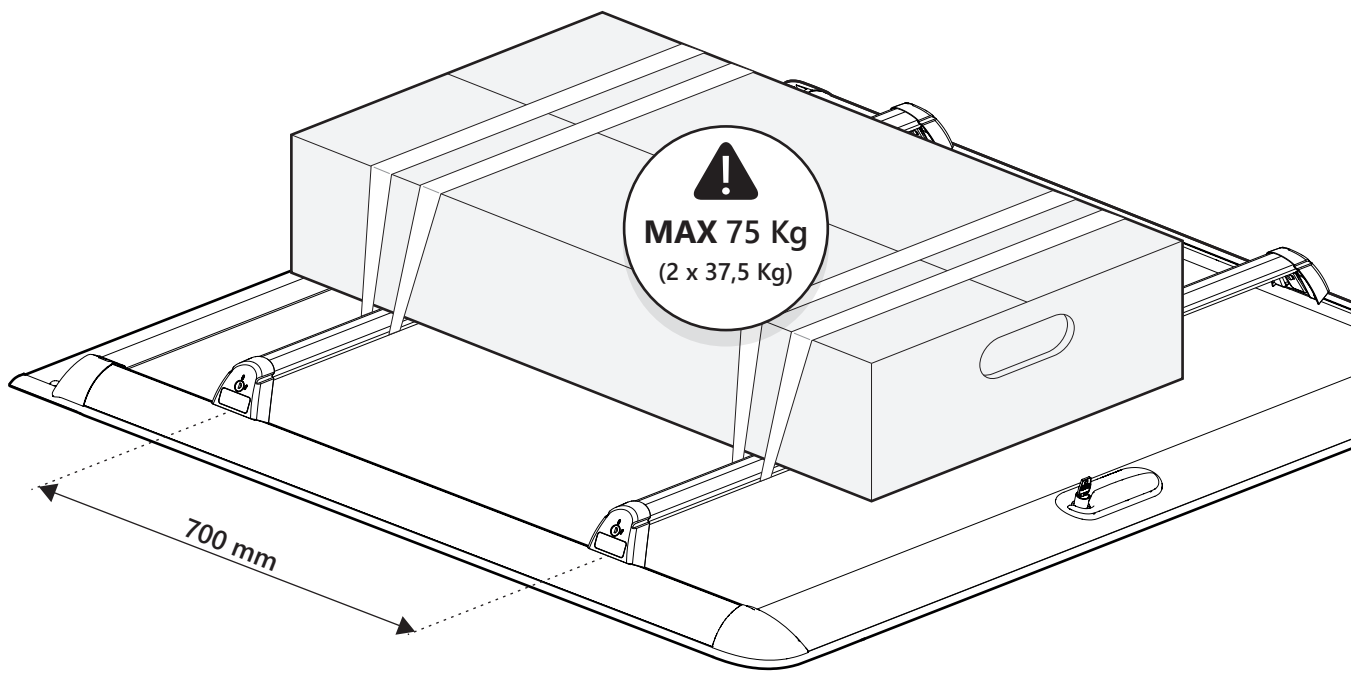


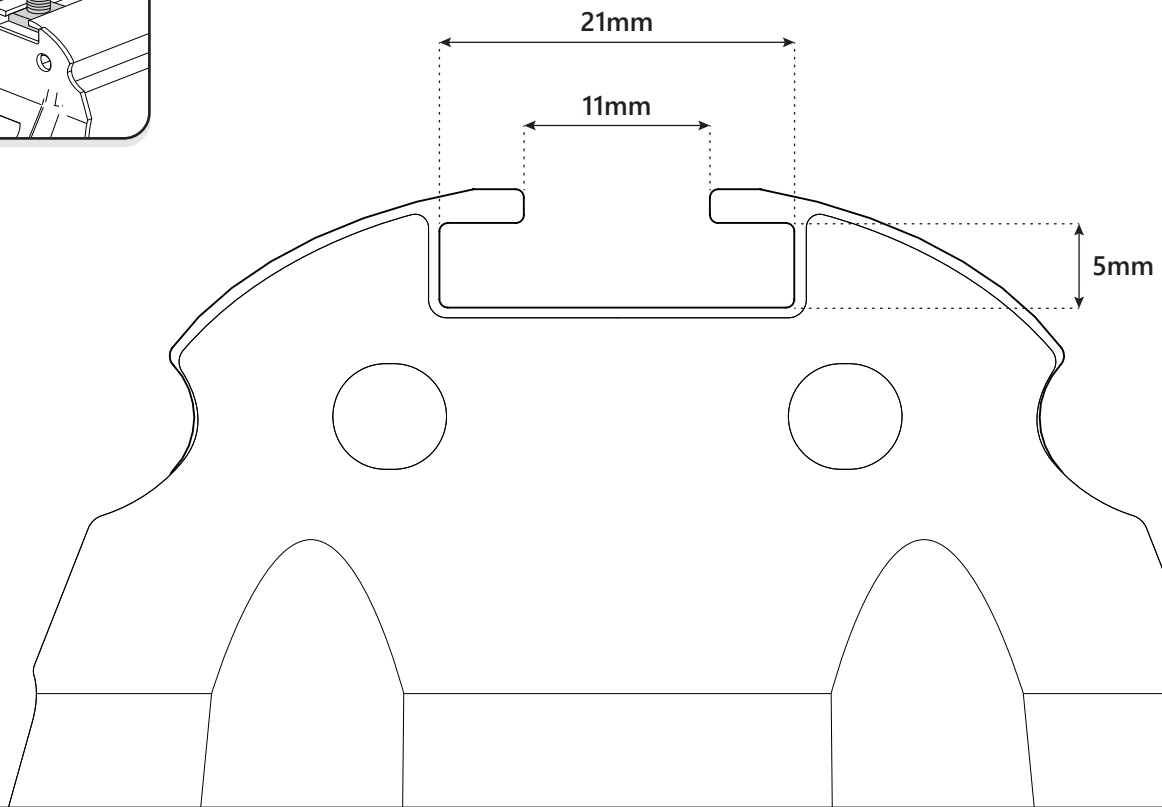
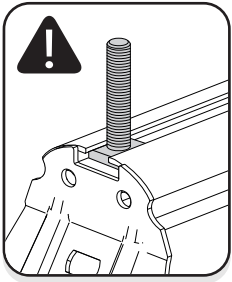


x 4











Customer Service +45 4810 2950 (08:00 - 16:00 CET)
Support info@mountaintop.dk
Website www.mountaintop.dk
Address Pedersholmparken 10, 3600 Frederikssund, Denmark

INSTALLATION TIME

15 minute(s)

WEIGHT

4 Kg

GB Installation manual**SF** Asennusohje**F** Notice de montage**PL** Instrukcja montażu**NL** Installatie-instructies**TR** Montaj Talimatı**S** Monteringsanvisning**E** Instrucciones de montaje**H** Szerelési utasítás**P** Instruções de instalação**RUS** Инструкция по установке**N** Monteringsvejledning**D** Einbauanleitung**CZ** Návod k instalaci**I** Istruzioni de montaggio**GR** Οδηγίες Εγκατάστασης**DK** Monteringsvejledning**RO** Instructiuni de instalare